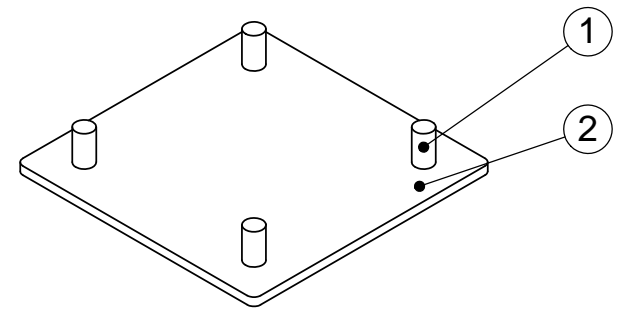
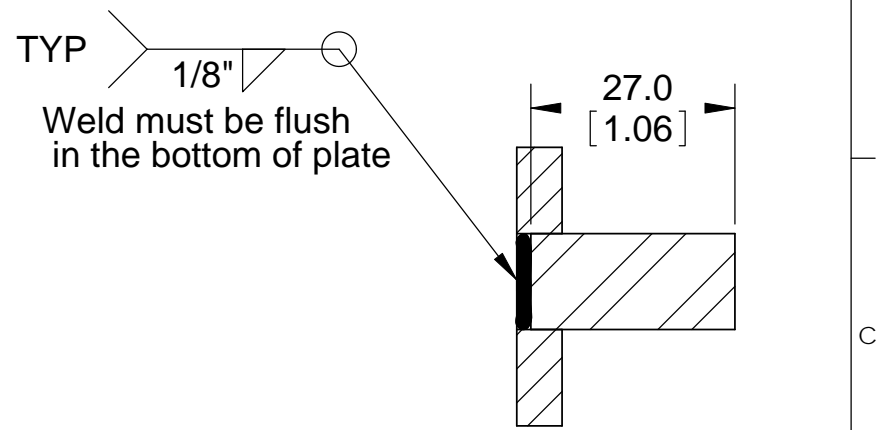
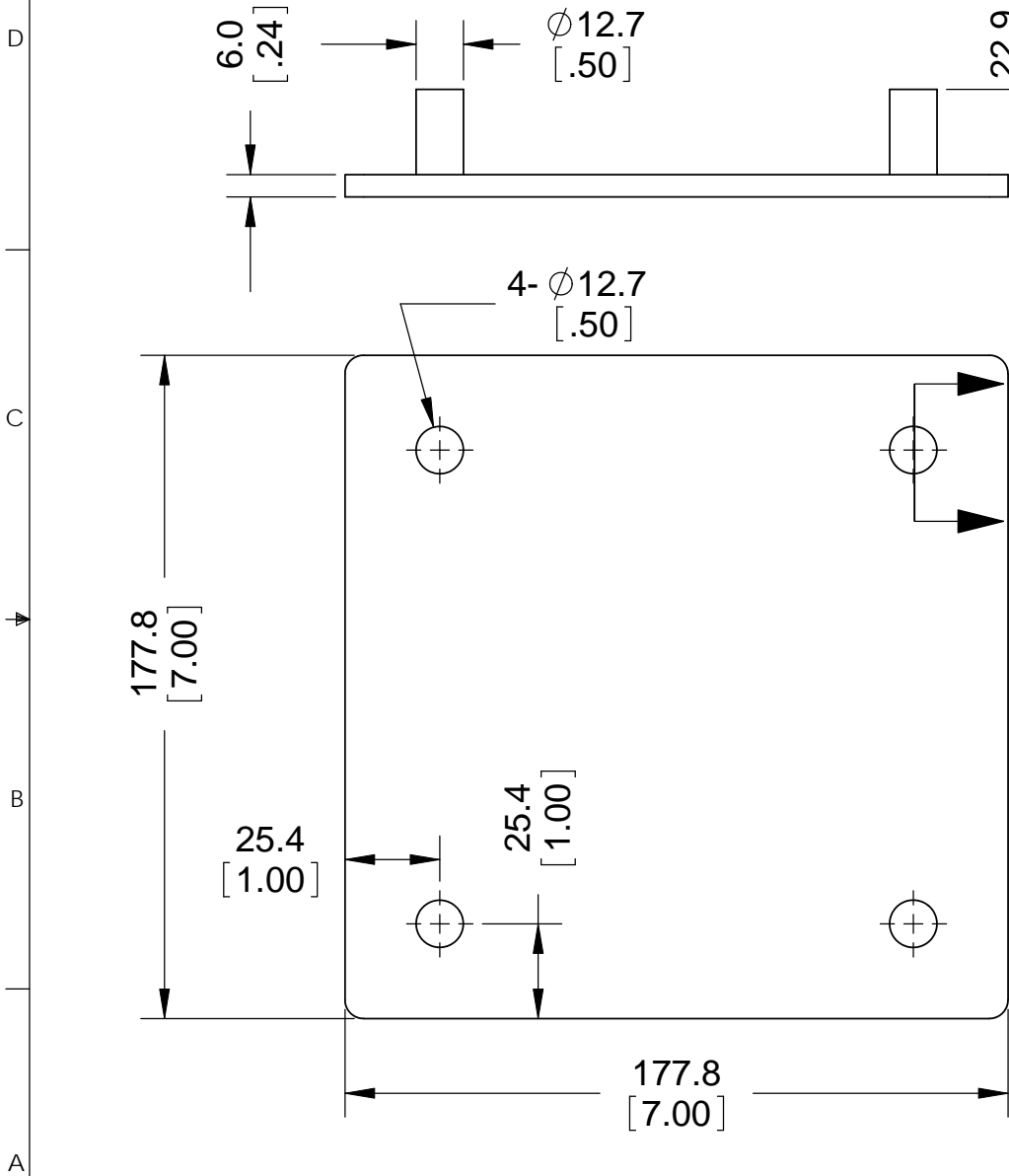


NO.	CHANGE	DRAWN BY	APPROVED	DATE



UNLESS OTHERWISE SPECIFIED DIMENSIONS ARE IN INCHES TOLERANCES ARE:		SOLIDWORKS GENERATED DRAWING DO NOT MANUALLY UPDATE DO NOT SCALE DRAWING		Harrison Scaffold Inc	
UNSPECIFIED INCH TOLERANCE X.X ±.078" X.XX ±.039" X.XXX ±.020" ANGULAR ±1°		UNSPECIFIED METRIC TOLERANCE X ±2.0mm X.X ±1.0mm X.XX ±0.5mm ANGULAR ±1°		APPROVALS	
PROJECTION		DATE		DRAWN	
MATERIAL		RESP ENG		PRODUCT CODE	
FINISH		MFG ENG		DRAWING NO	
WEIGHT		QUAL ENG		REV #	
				SCALE	
				SHEET	

NO	PART NO	QTY	DESCRIPTION
2	M60DC-01	1	PLATE 6.0mm
1	M60DC-02	4	D 0.5"Thread

PARTS LIST